

February NSP Specials

DOOR CLOSERS

Commercial Grade 1 Door Closer

- Adjustable Size 3-6
- Non-handed
- Adjustable Backcheck



Regular Price: \$42.50 each

Buy 4 for Only \$34.00 each

Order #	Item #
864-0020	12640 BC PA AL

EXIT DEVICES

**Buy Two (2) 8400B Exit Devices for \$89.00 Each
PLUS Get 10% off Your Choice of Outside Trim**

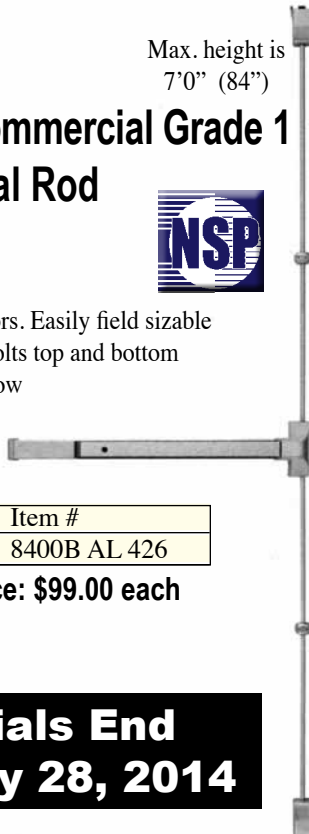
8400 Series Heavy-Duty Commercial Grade 1 Surface Vertical Rod

Max. height is
7'0" (84")



Features

- **Rail:** Fits 28" to 36" doors. Easily field sizable
- **Latch:** Pullman latch bolts top and bottom
Stainless steel 1/2" throw
- **Backset:** 2-3/4"



Order #	Item #
864-0200	8400B AL 426

Regular Price: \$99.00 each

8300/8400 Series Outside Trim



CTL881

Exterior sectional lever trim, includes SC1 cylinder, w/o clutch.



ESC881C

Exterior escutcheon free wheeling lever trim, includes 1-1/4" SC1 mortise cylinder.



8PDT

Exterior Blank Pull



8P03

Exterior Pull with cylinder cut out

Order #	Item #	Description	Regular
864-0400	8P03 AL	Pull w/Cyl Hole	\$11.50
864-0500	CTL881 26D	Entry Lever	45.00
864-0600	CTL886 26D	Storeroom Lever	45.00
864-0700	ESC881C 26D	Entry Lever	49.50
864-0800	ESC886C 26D	Storeroom Lever	49.50
864-0300	8PDT AL	Blank Pull	10.50

**Specials End
February 28, 2014**

EAS
Electronic Access
Specialists

A Division of

**SOUTHERN
LOCK**

- Main Florida Warehouse:
800-282-2837, Fax: 800-447-2299
- South Florida (Se Habla Espanol): 888-780-6071
- Atlanta: 877-217-9396
- Charlotte: 888-571-9145



www.southernlock.com